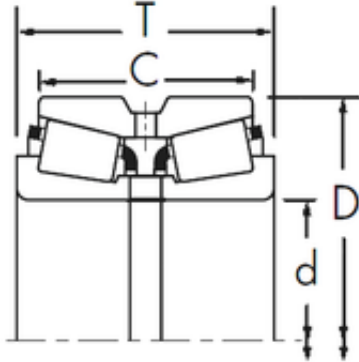




# ISO BEARING-SINGAPORE (PTE)LTD.

## Timken 546/533D tapered roller bearings



Bearing No. 546/533D

Size	49.982x111.125x79.375 mm
Bore Diameter	49,982 mm
Outer Diameter	111,125 mm
Width	79,375 mm
d	49,982 mm
D	111,125 mm
T	79,375 mm
C	63,5 mm
R	3,5 mm
r	1,5 mm

546/533D Bearing 2D drawings and 3D CAD models