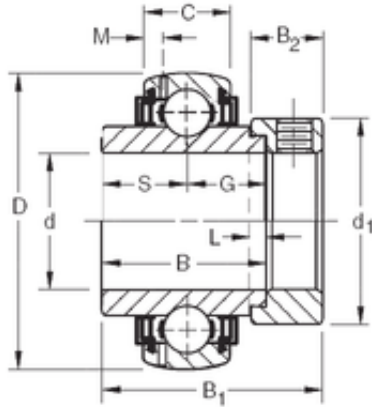




ISO BEARING-SINGAPORE (PTE)LTD.

44,45 mm x 100 mm x 42,86 mm Timken
GN112KLLB deep groove ball bearings



Bearing No. GN112KLLB

Size	44.45x100x42.86 mm
Bore Diameter	44,45 mm
Outer Diameter	100 mm
Width	42,86 mm
d	44,45 mm
D	100 mm
B	42,86 mm
C	27 mm
d1	69,85 mm
B1	58,74 mm
B2	20,64 mm
G	23,02 mm
L	4,8 mm
M	4,8 mm
S	19,84 mm
Weight	1,657 Kg
Basic dynamic load rating (C)	58,5 kN

GN112KLLB Bearing 2D drawings and 3D CAD models