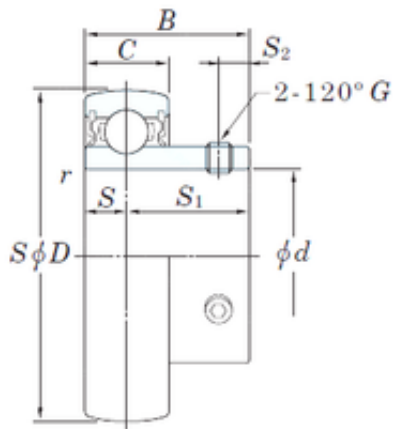




## ISO BEARING-SINGAPORE (PTE)LTD.



40 mm x 90 mm x 52 mm KOYO UC308 deep groove ball bearings

Bearing No. UC308

Size	40x90x52 mm
Bore Diameter	40 mm
Outer Diameter	90 mm
Width	52 mm
d	40 mm
D	90 mm
B	52 mm
C	28 mm
S1	33 mm
r min.	1,5 mm
S	19 mm
S2	10 mm
Thread (G)	M10 × 1,25
Weight	1 Kg
Basic dynamic load rating (C)	40,7 kN
Basic static load rating (C0)	24 kN

UC308 Bearing 2D drawings and 3D CAD models