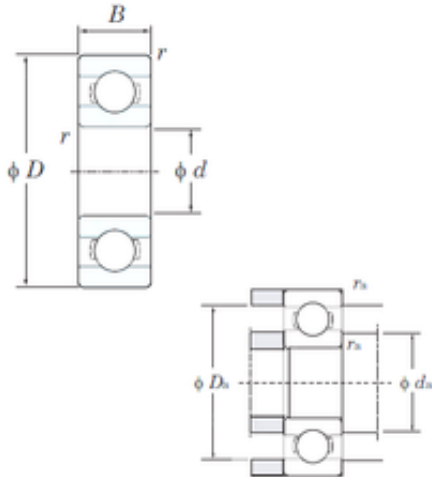




ISO BEARING-SINGAPORE (PTE)LTD.



7 mm x 11 mm x 2,5 mm KOYO ML7011 deep groove ball bearings

Bearing No. ML7011

ML7011 Bearing 2D drawings and 3D CAD models

Size	7x11x2.5 mm
Bore Diameter	7 mm
Outer Diameter	11 mm
Width	2,5 mm
d	7 mm
D	11 mm
B	2,5 mm
C	2,5 mm
r min.	0,1 mm
r1 min.	0,08 mm
da min.	7,8 mm
Da max.	10,2 mm
ra max.	0,08 mm
Weight	0,0007 Kg
Basic dynamic load rating (C)	0,43 kN
Basic static load rating (C0)	0,23 kN
(Grease) Lubrication Speed	49000 r/min
(Oil) Lubrication Speed	59000 r/min
Bearing No.	ML7011
r(min)	0.1
Cr	0.540
C0r	0.23
Cu	0.006
f0	16.1
Grease lub.	49000



ISO BEARING-SINGAPORE (PTE)LTD.

Oil lub.	59000
da(min)	7.8
Da(max)	10.2
ra(max)	0.08
(Refer.)Mass(g)	0.7