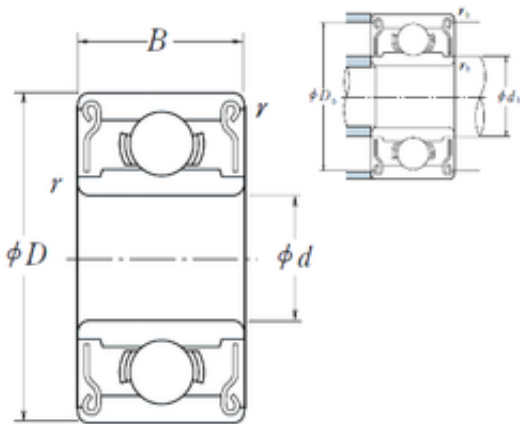




# ISO BEARING-SINGAPORE (PTE)LTD.



4 mm x 7 mm x 2,5 mm ISO MR74ZZ deep groove ball bearings

Bearing No. MR74ZZ

Size	4x7x2.5 mm
Bore Diameter	4 mm
Outer Diameter	7 mm
Width	2,5 mm
d	4 mm
D	7 mm
B	2,5 mm
C	2,5 mm
r min.	0,1 mm

MR74ZZ Bearing 2D drawings and 3D CAD models