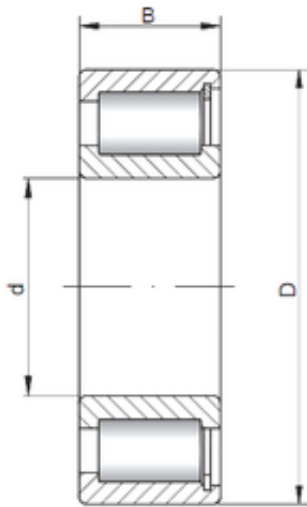




ISO BEARING-SINGAPORE (PTE)LTD.



55 mm x 90 mm x 26 mm ISO NCF3011 V
cylindrical roller bearings

Bearing No. NCF3011 V

Size	55x90x26 mm
Bore Diameter	55 mm
Outer Diameter	90 mm
Width	26 mm
d	55 mm
D	90 mm
B	26 mm
C	26 mm

NCF3011 V Bearing 2D drawings and 3D CAD models