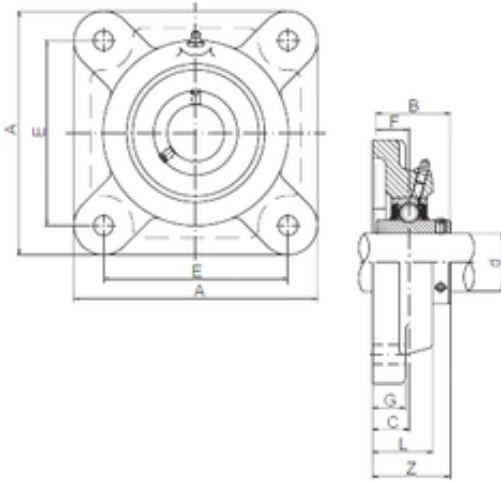




# ISO BEARING-SINGAPORE (PTE)LTD.



## ISO UCF313 bearing units

Bearing No. UCF313

Bore Diameter	65 mm
Width	75 mm
d	65 mm
Z	78 mm
A	208 mm
B	75 mm
C	33 mm
E	166 mm
F	30 mm
G	22 mm
L	58 mm
S	23 mm
Bolt (G)	M20

UCF313 Bearing 2D drawings and 3D CAD models