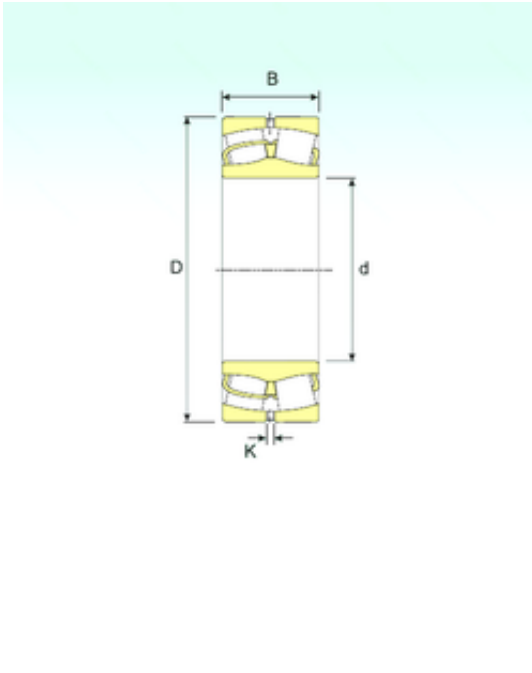




ISO BEARING-SINGAPORE (PTE)LTD.



23152 Bearing 2D drawings and 3D CAD models

260 mm x 440 mm x 144 mm ISB 23152
spherical roller bearings

Bearing No. 23152

Size	260x440x144 mm
Bore Diameter	260 mm
Outer Diameter	440 mm
Width	144 mm
d	260 mm
D	440 mm
B	144 mm
C	144 mm
K	9 mm
Weight	90,5 Kg
Basic dynamic load rating (C)	2499 kN
Basic static load rating (C0)	3822 kN
(Grease) Lubrication Speed	1071 r/min