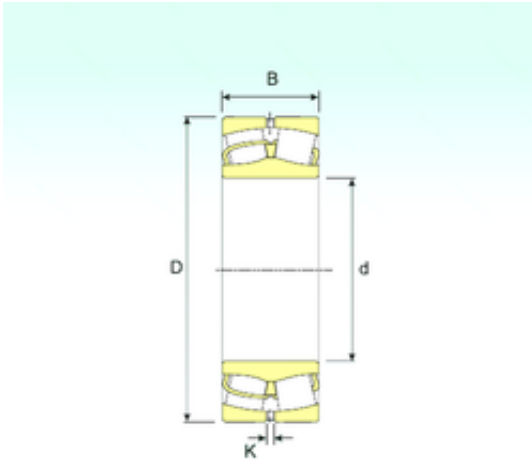




ISO BEARING-SINGAPORE (PTE)LTD.



22211 Bearing 2D drawings and 3D CAD models

55 mm x 100 mm x 25 mm ISB 22211 spherical roller bearings

Bearing No. 22211

Size	55x100x25 mm
Bore Diameter	55 mm
Outer Diameter	100 mm
Width	25 mm
d	55 mm
D	100 mm
B	25 mm
C	25 mm
K	3 mm
Weight	0,84 Kg
Basic dynamic load rating (C)	123 kN
Basic static load rating (C0)	124 kN
(Grease) Lubrication Speed	6502,5 r/min