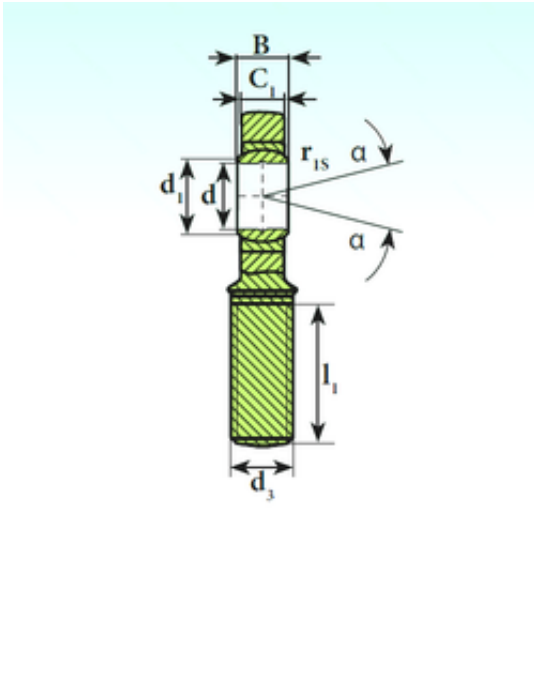




# ISO BEARING-SINGAPORE (PTE)LTD.



SA 10 C Bearing 2D drawings and 3D CAD models

10 mm x 19 mm x 9 mm ISB SA 10 C plain bearings

Bearing No. SA 10 C

Size	10x19x9 mm
Bore Diameter	10 mm
Outer Diameter	19 mm
Width	9 mm
d	10 mm
D	19 mm
B	9 mm
d1	13,2 mm
d2	29 mm
dk	16 mm
h1	48 mm
l1 min.	27 mm
l2 max.	62,5 mm
l7 min.	15 mm
r min.	0,3 mm
C1	7 mm
W	M10x1,5
Angle	12 °
Weight	0,051 Kg
Basic dynamic load rating (C)	8,65 kN