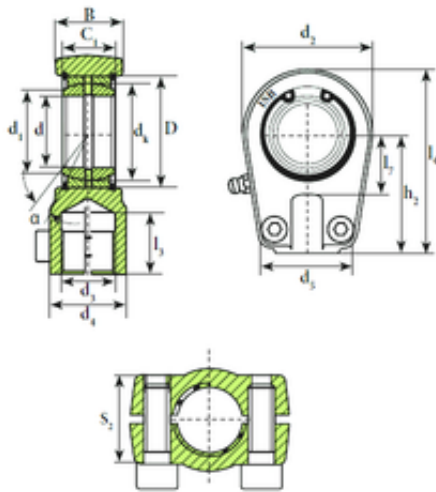




ISO BEARING-SINGAPORE (PTE)LTD.



35 mm x 55 mm x 30 mm ISB TAPR 535 U plain bearings

Bearing No. TAPR 535 U

Bore Diameter	35 mm
d	35 mm
B	30 mm
d1	39,7 mm
d2	78 mm
d4	40 mm
dk	47 mm
h2	70 mm
l3 min.	29 mm
l4 max.	112 mm
l7 min.	38 mm
C1	25 mm
D	55 mm
S2	28 mm
Thread (G)	M28x1,5
Angle	6 °
d5	66 r/min
Weight	1,26 Kg
Basic dynamic load rating (C)	80 kN

TAPR 535 U Bearing 2D drawings and 3D CAD models