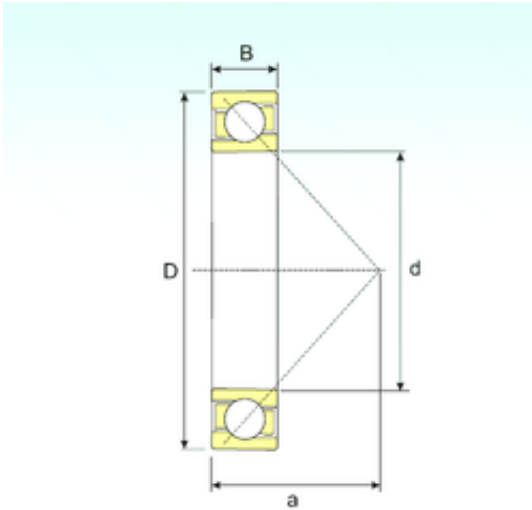




ISO BEARING-SINGAPORE (PTE)LTD.



90 mm x 160 mm x 30 mm ISB 7218 B angular contact ball bearings

Bearing No. 7218 B

Size	90x160x30 mm
Bore Diameter	90 mm
Outer Diameter	160 mm
Width	30 mm
d	90 mm
D	160 mm
B	30 mm
C	30 mm
a	67 mm
Weight	2,12 Kg
Basic dynamic load rating (C)	105,84 kN
Basic static load rating (C0)	94,57 kN
(Grease) Lubrication Speed	3442,5 r/min

7218 B Bearing 2D drawings and 3D CAD models