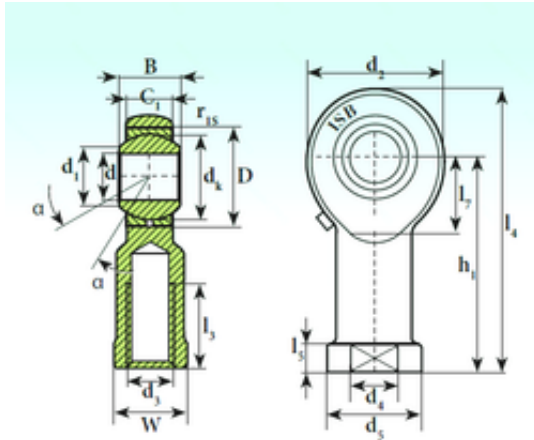




ISO BEARING-SINGAPORE (PTE)LTD.



TSF 22 Bearing 2D drawings and 3D CAD models

22 mm x 42 mm x 28 mm ISB TSF 22 plain bearings

Bearing No. TSF 22

Size	22x42x28 mm
Bore Diameter	22 mm
Outer Diameter	42 mm
Width	28 mm
d	22 mm
D	42 mm
B	28 mm
d1	25,8 mm
d2	50 mm
d4	30 mm
dk	38,1 mm
h1	84 mm
l3 min.	43 mm
l4 max.	109 mm
l5	12 mm
l7 min.	29 mm
r min.	0,3 mm
C1	20 mm
W	M22x1,5
W	32 mm
Angle	15 °
d5	37 r/min
Weight	0,61 Kg
Basic dynamic load rating (C)	38 kN