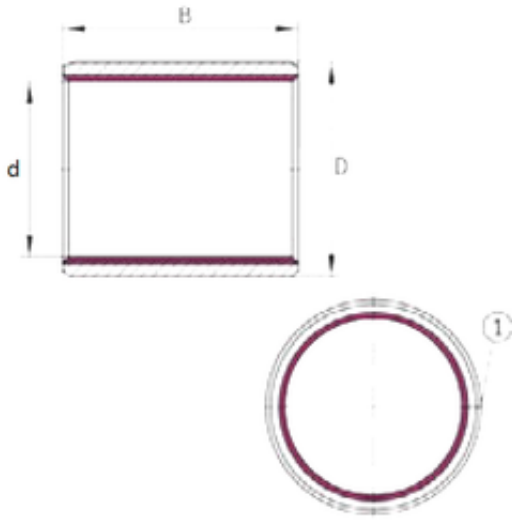




ISO BEARING-SINGAPORE (PTE)LTD.



15,875 mm x 18,258 mm x 22,23 mm INA
EGBZ1014-E40 plain bearings

Bearing No. EGBZ1014-E40

EGBZ1014-E40 Bearing 2D drawings and 3D CAD models

Size	15.875x18.258x22.23 mm
Bore Diameter	15,875 mm
Outer Diameter	18,258 mm
Width	22,23 mm
d	15,875 mm
D	18,258 mm
B	22,23 mm
Category	Sleeve Bearings
Inventory	0.0
Manufacturer Name	SCHAEFFLER GROUP
Minimum Buy Quantity	N/A
Weight / Kilogram	0.016
EAN	4012802063646
Product Group	B04264
Profile	Bushing No Flange Split
Material Description	Steel Backing, Bronze Innerstructure, PTFE-lead Overlay
Material	Permaglide P10
Inch - Metric	Inch
Long Description	5/8" Nominal Bore; 23/32" Nominal Outside Diameter; 7/8" Length Thru Bore; Bushing No Flange Split Profile; Steel Backing, Bronze Innerstructure, PTFE-lead Overlay; Permaglide P10 Mater



ISO BEARING-SINGAPORE (PTE)LTD.

Category	Sleeve Bearings
UNSPSC	31171515
Harmonized Tariff Code	84833080
Noun	Bearing
Keyword String	Plain
Manufacturer URL	http://www.ina.com
Manufacturer Item Number	PAPZ1014P10
Weight / LBS	0.036
Length Thru Bore	0.875 Inch 22.225 Millimeter
Nominal Bore	0.625 Inch 15.875 Millimeter
Nominal Outside Diameter	0.719 Inch 18.263 Millimeter