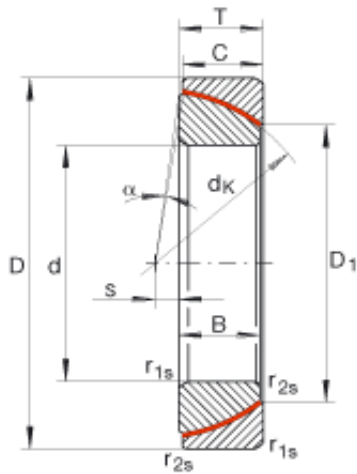




ISO BEARING-SINGAPORE (PTE)LTD.



INA GE110-SW plain bearings

Bearing No. GE110-SW

Size	110x170x36 mm
Bore Diameter	110 mm
Outer Diameter	170 mm
Width	36 mm
T	38 mm
C	36 mm
D ₁	125,8 mm
D _{a min}	135 mm
d _{a max}	123,2 mm
d _{b max}	146 mm
d _K	160 mm
D _{b min}	162 mm
r _{1s min}	0,6 mm
s	15 mm
alf (°)	1,5
Weight (kg)	3,7
C _r (N)	1410000
C _{0r} (N)	2340000

GE110-SW Bearing 2D drawings and 3D CAD models