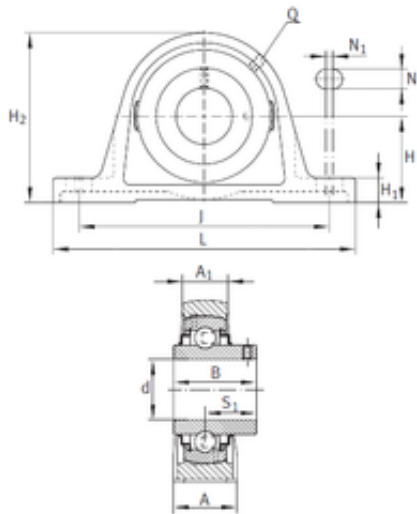




ISO BEARING-SINGAPORE (PTE)LTD.



INA RASEY3/4 bearing units

Bearing No. RASEY3/4

Bore Diameter	19.05 mm
d	19.05 mm
S1	18,288 mm
Thread (Q) - 1/4-28 UNF	1/428 UNF
A	32,004 mm
A1	19,99 mm
B	30,988 mm
H	33,3 mm
H1	14,504 mm
H2	64,288 mm
J	96,012 mm
L	130 mm
N	10,999 mm
N1	8,992 mm
Category	Pillow Block Bearings
Inventory	0.0
Manufacturer Name	SCHAEFFLER GROUP
Minimum Buy Quantity	N/A
Weight / Kilogram	0.707
Product Group	M06110
Number of Mounting Holes	2
Mounting Method	Set Screw
Housing Style	2 Bolt Pillow Block
Rolling Element	Ball Bearing
Housing Material	Cast Iron
Expansion / Non-expansion	Non-expansion

RASEY3/4 Bearing 2D drawings and 3D CAD models



ISO BEARING-SINGAPORE (PTE)LTD.

Relubricatable	Yes
Insert Part Number	GY1012KRRB
Seals	Double Land Riding Rubber Contact
Housing Configuration	1 Piece Solid
Inch - Metric	Inch
Other Features	Single Row Standard Shaft Height
Long Description	2 Bolt Pillow Block; 3/4" Bore; 1-5/16" Base to Center Height; Set Screw Mount; Ball Bearing; 3.425" Minimum Bolt Spacing; 4.134" Bolt Spacing Maximum; Relubricatable; Cast Iron; D
Category	Pillow Block
UNSPSC	31171511
Harmonized Tariff Code	8483.20.40.40
Noun	Bearing
Keyword String	Pillow Block
Manufacturer URL	http://www.ina.com
Manufacturer Item Number	RASEY3/4
Weight / LBS	1.32
Base to Center Height	1.313 Inch 33.35 Millimeter
Nominal Bolt Center to Center	3.8 Inch 97 Millimeter
Bolt Spacing Minimum	3.425 Inch 87Millimeter
Actual Bolt Center to Center	0 Inch 0Millimeter
Bore	0.75 Inch 19.05 Millimeter
Bolt Spacing Maximum	4.134 Inch 105Millimeter
Length Thru Bore	1.221 Inch 31.013 Millimeter