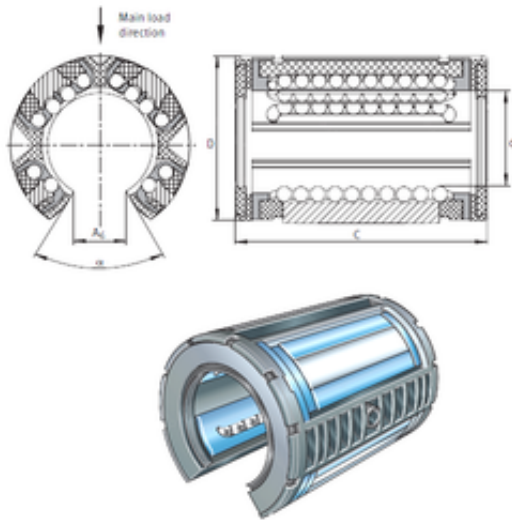




ISO BEARING-SINGAPORE (PTE)LTD.



INA KSO16 linear bearings

Bearing No. KSO16

Size	16x26x36 mm
Bore Diameter	16 mm
Outer Diameter	26 mm
Width	36 mm
d	16 mm
D	26 mm
C	36 mm
A6	10,1 mm
K4	3 mm
K1	3 mm
Angle (?)	78 °
Weight	0,019 Kg
Basic dynamic load rating (C)	1,43 kN

KSO16 Bearing 2D drawings and 3D CAD models