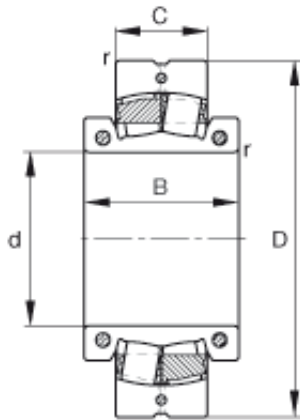




ISO BEARING-SINGAPORE (PTE)LTD.



7 15/16 inch x 370 mm x 175 mm FAG 231S.715
spherical roller bearings

Bearing No. 231S.715

231S.715 Bearing 2D drawings and 3D CAD models

Size	201.613x370x120 mm
Bore Diameter	201,613 mm
Outer Diameter	370 mm
Width	120 mm
d	201,613 mm
d	7 15/16 inch
D	370 mm
C	120 mm
B	175 mm
r_{\min}	4 mm
m	72,6 kg / Weight
C_r	1320000 N / Dynamic load rating (radial)
e	0,31
Y_1	2,21
Y_2	3,29
C_{0r}	2030000 N / Static load rating (radial)
Y_0	2,16
n_G	690 1/min / Limiting speed
C_{ur}	151000 N / Fatigue limit load, radial
$F_{a \max}$	32000 N / Permissible axial load, for inner ring without axial abutment
M_i	120 Nm / Tightening torque



ISO BEARING-SINGAPORE (PTE)LTD.

	per clamping screw
--	--------------------