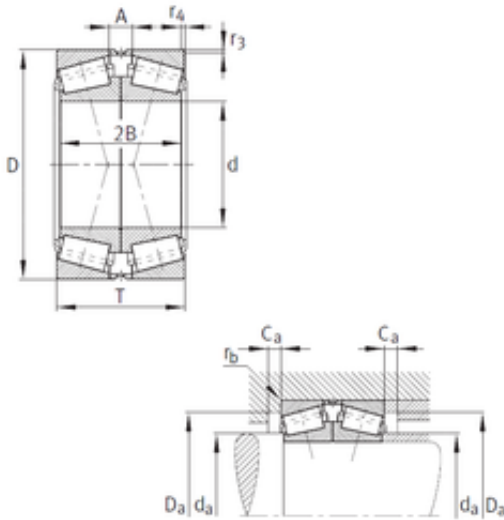




ISO BEARING-SINGAPORE (PTE)LTD.



32228-A-N11CA-A250-300 Bearing 2D drawings and 3D CAD models

FAG 32228-A-N11CA-A250-300 tapered roller bearings

Bearing No. 32228-A-N11CA-A250-300

Size	140x250x143.5 mm
Bore Diameter	140 mm
Outer Diameter	250 mm
Width	143,5 mm
d	140 mm
D	250 mm
T	143,5 mm
r3 min.	3 mm
r4 min.	3 mm
2B	136 mm
A	27,5 mm
Ca max.	8 mm
da max	159 mm
Da min	210 mm
Da max.	236 mm
rb max.	3 mm
Weight	29,5 Kg
Basic dynamic load rating (C)	1100 kN
Basic static load rating (C0)	1980 kN
Fatigue load limit (Pu)	241
Reference speed	1 390 r/min
Limiting speed	2 500 r/min
Calculation factor (e)	0,44
Calculation factor (Y0)	1,52
Calculation factor (Y1)	1,55



ISO BEARING-SINGAPORE (PTE)LTD.