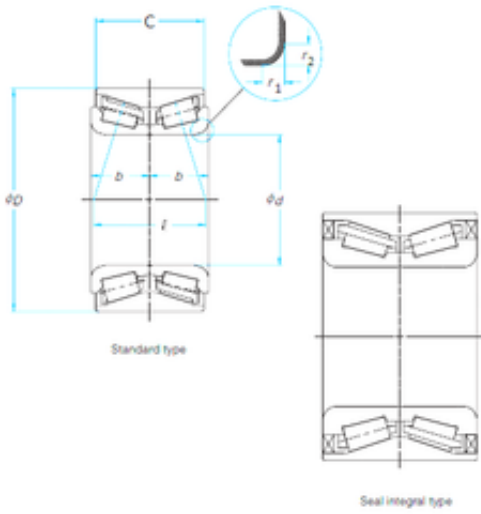




ISO BEARING-SINGAPORE (PTE)LTD.



42 mm x 72 mm x 38 mm FAG FW308 thrust roller bearings

Bearing No. FW308

Size	42x72x38 mm
Bore Diameter	42 mm
Outer Diameter	72 mm
Width	38 mm
d	42 mm
D	72 mm
B	38 mm
C	35 mm

FW308 Bearing 2D drawings and 3D CAD models