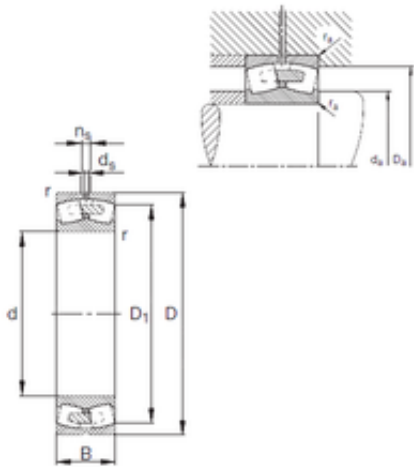




ISO BEARING-SINGAPORE (PTE)LTD.

480 mm x 790 mm x 248 mm FAG 23196-E1A-MB1 spherical roller bearings



Bearing No. 23196-E1A-MB1

Size	480x790x248 mm
Bore Diameter	480 mm
Outer Diameter	790 mm
Width	248 mm
d	480 mm
D	790 mm
B	248 mm
C	248 mm
n	23,5 mm
r min.	7,5 mm
D1	690,4 mm
da min.	512 mm
Da max.	758 mm
ra max.	6 mm
d5	12,5 r/min
Weight	489 Kg
Basic dynamic load rating (C)	7400 kN
Basic static load rating (C0)	12400 kN
Fatigue load limit (Pu)	790
Reference speed	380 r/min
Limiting speed	840 r/min
Calculation factor (e)	0,3
Calculation factor (Y0)	2,18
Calculation factor (Y1)	2,23
Calculation factor (Y2)	3,32

23196-E1A-MB1 Bearing 2D drawings and 3D CAD models



ISO BEARING-SINGAPORE (PTE)LTD.