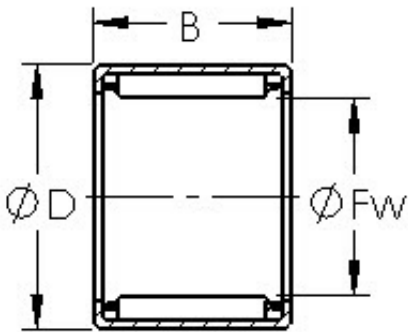




ISO BEARING-SINGAPORE (PTE)LTD.



AST HK3020 needle roller bearings

Bearing No. HK3020

| | |
|--|-------------------------------------|
| Size | 30x37x20 mm |
| Bore Diameter | 30 mm |
| Outer Diameter | 37 mm |
| Width | 20 mm |
| Bearing Type | Cage Retained Rollers |
| Outer Dia (D) | 37.0000 |
| Width (B) | 20.0000 |
| Dynamic Load Rating (Cr) | 22,000 |
| Static Load Rating (Cor) | 39,500 |
| Max Speed (Grease) (X1000 RPM) | 8,500 |
| Shaft (Fw) | 30.000 |
| Weight (g) | 39.00 |
| Material - Drawn cup: Hardened carbon steel alloy, Rollers | 52100 Chrome steel or equivalent |

HK3020 Bearing 2D drawings and 3D CAD models