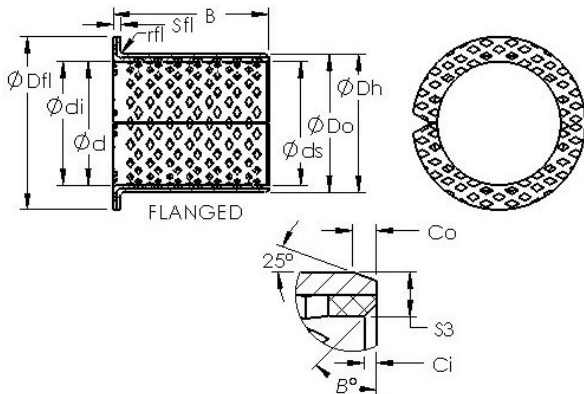




ISO BEARING-SINGAPORE (PTE)LTD.



AST ASTB90 F20060 plain bearings

Bearing No. ASTB90 F20060

Bore Diameter	200 mm
Outer Diameter	205 mm
Bearing Type	flanged
Shaft Dia., Nominal (d)	200.0000
Shaft Size (ds) - 200 -0.170 / -0.216	200 0.170 / 0.216
Housing Bore Dia. (Dh) - 205 +0.046 / -0	205 +0.046 / 0
Bearing Outside Diameter, Nominal(Do)	205.000
Bearing Bore after Mounting (di) - 205 +0.115 / -0	205 +0.115 / 0
Wall Thickness (S3)	2.500
Bearing Length, Nominal (B)	60.000
Bearing Length Tolerance (B tol.) - +0 / -0.40	+0 / 0.40
OD Chamfer Length (Co)	1.800
ID Chamfer Angle (B deg.)	45
ID Chamfer Length (Ci)	0.600
Flange Dia. (Dfl pm 0.5)	235.000
Flange Thickness (Sfl)	2.500
Flange Radius (rfl)	2.000
Material	Wrapped bronze with formed lubrication indents.

ASTB90 F20060 Bearing 2D drawings and 3D CAD models