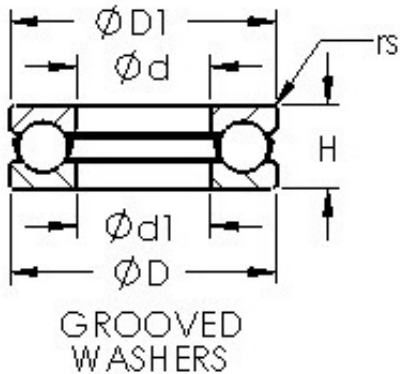




# ISO BEARING-SINGAPORE (PTE)LTD.



## AST 51240M thrust ball bearings

Bearing No. 51240M

Bore Diameter	200 mm
Outer Diameter	280 mm
Bearing Type	with grooved raceway(s)
Bore Dia (d)	200.0000
Outer Dia (D)	280.0000
Radius (min) (rs)	2.000
Static Load Rating (Cor)	1,304,000
Dynamic Load Rating (Cr)	362,000
Max Speed (Grease) (X000 RPM)	1
Max Speed (Oil) (X000 RPM)	1
Height (H)	62.0000
Outer Dia. Pilot (D1)	277.0000
Bore Dia. Clearance (d1)	204.0000
Weight (g)	12,161.00
Material	52100 chrome steel, or equivalent.

51240M Bearing 2D drawings and 3D CAD models