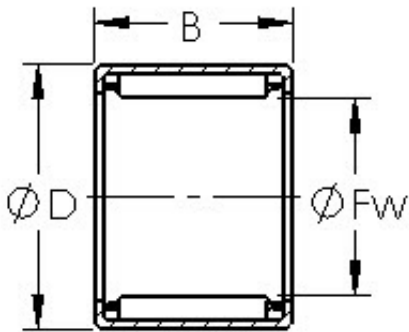




ISO BEARING-SINGAPORE (PTE)LTD.



AST HK0609 needle roller bearings

Bearing No. HK0609

Size	6x10x9 mm
Bore Diameter	6 mm
Outer Diameter	10 mm
Width	9 mm
Bearing Type	Cage Retained Rollers
Outer Dia (D)	10.0000
Width (B)	9.0000
Dynamic Load Rating (Cr)	2,850
Static Load Rating (Cor)	2,600
Max Speed (Grease) (X1000 RPM)	35,000
Shaft (Fw)	6.000
Weight (g)	3.00
Material - Drawn cup: Hardened carbon steel alloy, Rollers	52100 Chrome steel or equivalent

HK0609 Bearing 2D drawings and 3D CAD models