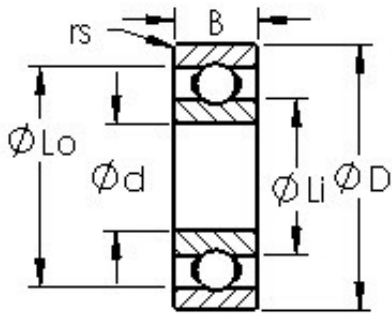




# ISO BEARING-SINGAPORE (PTE)LTD.



## AST 608H deep groove ball bearings

Bearing No. 608H

Size	8x22x7 mm
Bore Diameter	8 mm
Outer Diameter	22 mm
Width	7 mm
Bearing Type	Open
Bore Dia (d)	8.0000
Outer Dia (D)	22.0000
Width (B)	7.0000
Radius (min) (rs)	0.300
Dynamic Load Rating (Cr)	2,799
Static Load Rating (Cor)	1,103
Max Speed (Grease) (X1000 RPM)	34
Max Speed (Oil) (X1000 RPM)	40
Max. Shaft Shoulder Dia. Inner (Li)	12.1
Min. Housing Shoulder Dia., Outer (Lo)	18.0
Ball Qty	7
Ball Dia (Dw)	3.9690
Weight (g)	11.80
Precision	A1
Standard Clearance	K25
Material	Martensitic Stainless Steel

608H Bearing 2D drawings and 3D CAD models