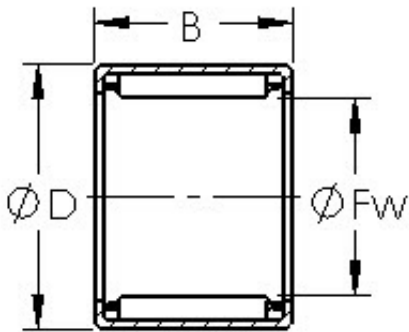




# ISO BEARING-SINGAPORE (PTE)LTD.



## AST HK4520 needle roller bearings

Bearing No. HK4520

Size	45x52x20 mm
Bore Diameter	45 mm
Outer Diameter	52 mm
Width	20 mm
Bearing Type	Cage Retained Rollers
Outer Dia (D)	52.0000
Width (B)	20.0000
Dynamic Load Rating (Cr)	27,000
Static Load Rating (Cor)	59,000
Max Speed (Grease) (X1000 RPM)	6,000
Shaft (Fw)	45.000
Weight (g)	56.00
Material - Drawn cup: Hardened carbon steel alloy, Rollers	52100 Chrome steel or equivalent

HK4520 Bearing 2D drawings and 3D CAD models