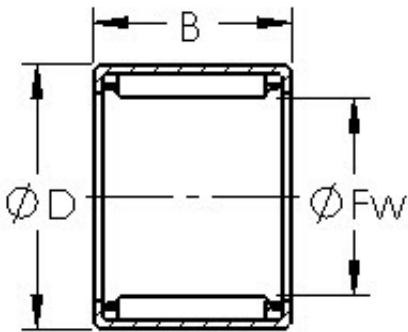




# ISO BEARING-SINGAPORE (PTE)LTD.



## AST SCE148 needle roller bearings

Bearing No. SCE148

Bore Diameter	22,225 mm
Outer Diameter	28,575 mm
Width	12,7 mm
Bearing Type	Cage Retained Rollers
Outer Dia (D)	1.1250
Width (B)	0.5000
Dynamic Load Rating (Cr)	2,500
Static Load Rating (Cor)	3,550
Max Speed (Grease) (X1000 RPM)	12,600
Shaft (Fw)	0.875
Weight (g)	19.00
Material - Drawn cup: Hardened carbon steel alloy, Rollers	52100 Chrome steel or equivalent

SCE148 Bearing 2D drawings and 3D CAD models