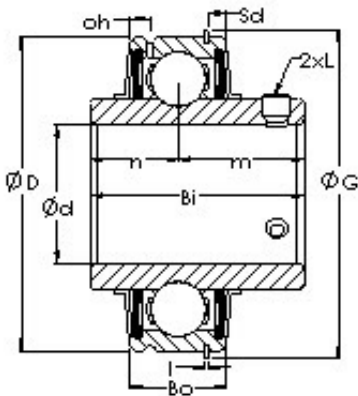




ISO BEARING-SINGAPORE (PTE)LTD.



AST ER211-35 bearing units

Bearing No. ER211-35

| | |
|--|-------------------------|
| Bore Diameter | 55,56 mm |
| Outer Diameter | 100 mm |
| Bearing Type | Inch Size Bore Diameter |
| Bore Dia (d) | 55.5600 |
| Outer Dia (D) | 100.0000 |
| Outer Width (Bo) | 30.0000 |
| Inner Width (Bi) | 55.6000 |
| Dynamic Load Rating (Cr) | 43,332 |
| Static Load Rating (Cor) | 29,410 |
| Bearing Inner Race Width - Short Side (n) | 22.2000 |
| Bearing Inner Race Width - Extended Side (m) | 33.4000 |
| Bearing Collar Set Screw (L) - 3/8-24UNF | 3/824UNF |
| Snap Ring Dia. (G) | 106.3000 |
| Snap Rinf Location (Sd) | 3.2000 |
| Snap Ring Thickness (I) | 2.4000 |
| Relubrication Hole Location (oh) | 7.5000 |
| Shaft Size (ds) - 2-3/16 | 23/16 |
| Weight (g) | 1,410.67 |

ER211-35 Bearing 2D drawings and 3D CAD models