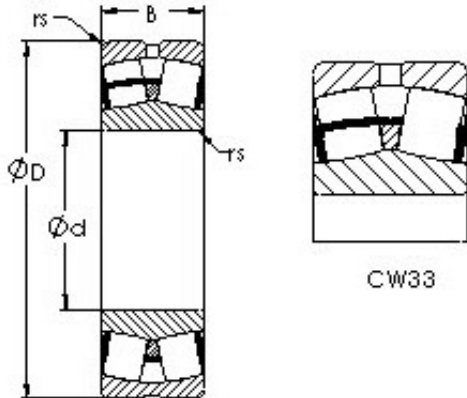




# ISO BEARING-SINGAPORE (PTE)LTD.



## AST 23072CAW33 spherical roller bearings

Bearing No. 23072CAW33

Size	360x540x134 mm
Bore Diameter	360 mm
Outer Diameter	540 mm
Width	134 mm
Bearing Type	straight bore, lube groove and holes
Bore Dia (d)	360.0000
Outer Dia (D)	540.0000
Width (B)	134.0000
Radius (min) (rs)	5.000
Dynamic Load Rating (Cr)	2,317,000
Static Load Rating (Cor)	4,518,000
Max Speed (Grease) (X000 RPM)	1
Max Speed (Oil) (X000 RPM)	1
Weight (g)	109,220.00
Material	52100 Chrome steel, or equivalent

23072CAW33 Bearing 2D drawings and 3D CAD models